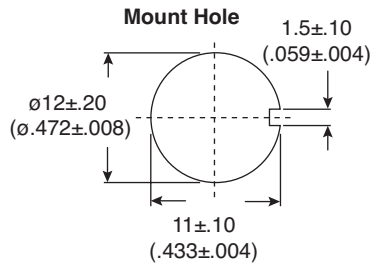
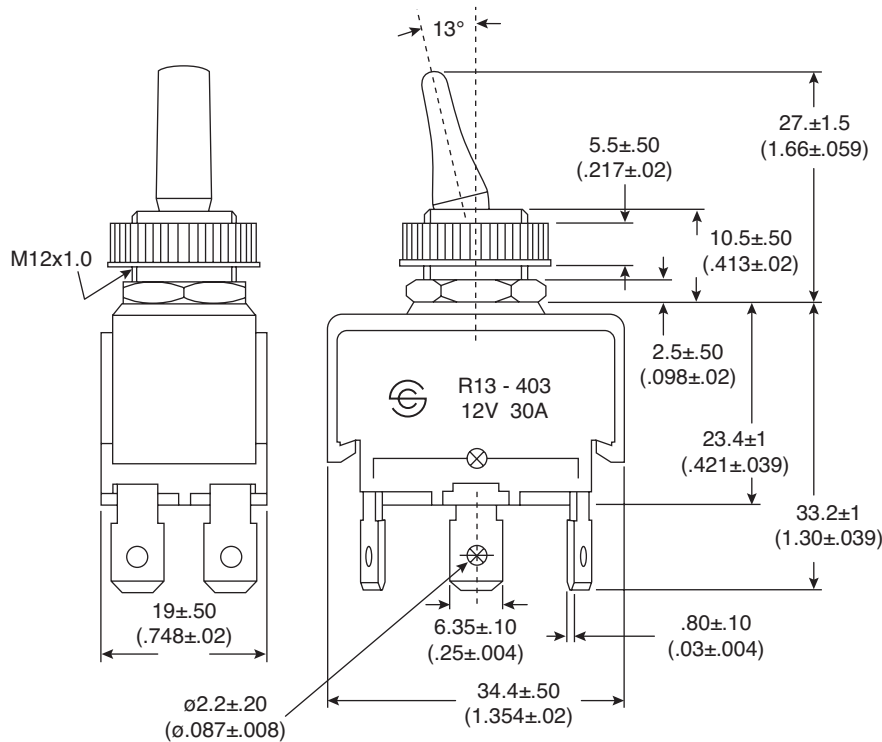


Dimensions: mm (In)



Backlight Lamp

Backlight Lamp diagram: Shows a lamp assembly with a diameter of 4±.1 (.157±.004) mm. The lamp height is 9.8±.2 (.386±.008) mm. The lamp is mounted on a base with a diameter of 1 (.04) mm. The lamp is offset from the center by 0.40 (.016) mm.

Electrical Specifications:

- Voltage: 80mA / 12V
- Current: 80mA ± -10%
- Life: 15,000 Hrs.
- Intensity: 0.2CP ± -25%

Electrical Specifications:

- Rating: 30A / 12V DC
- Contact Resistance: 50m Ω max.
- Insulation Resistance: 500 DC 100M Ω min.
- Dielectric Strength: 1500V AC 1 minute

Note:

- RoHS Compliant by Exemption

Mouser Stock No.	Type	Circuit	Illuminated Color
103-0005-EVX	5P SPDT	On-Off-On	Red/Clear/Green
103-0006-EVX	5P SPDT	On-On	Red/Green
103-0007-EVX	4P SPST	On-Off	Red/Clear

Illuminated Toggle Switches

103-0005-EVX, 103-0006-EVX, 103-0007-EVX

