

Design Review 2

I. Subsystem Demonstration

All three subsystems function as an overall system. This will be demonstrated during the weekly meeting.

II. Pin-Out Diagram

Figure 1. Finalized Pin-Out Diagram

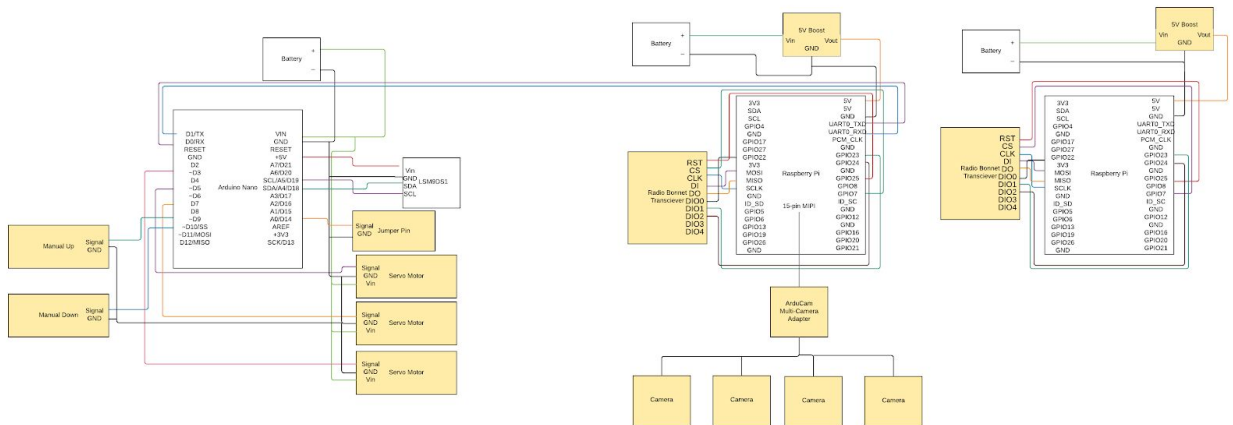


Figure 2. Closer Look: Orientation Subsystem

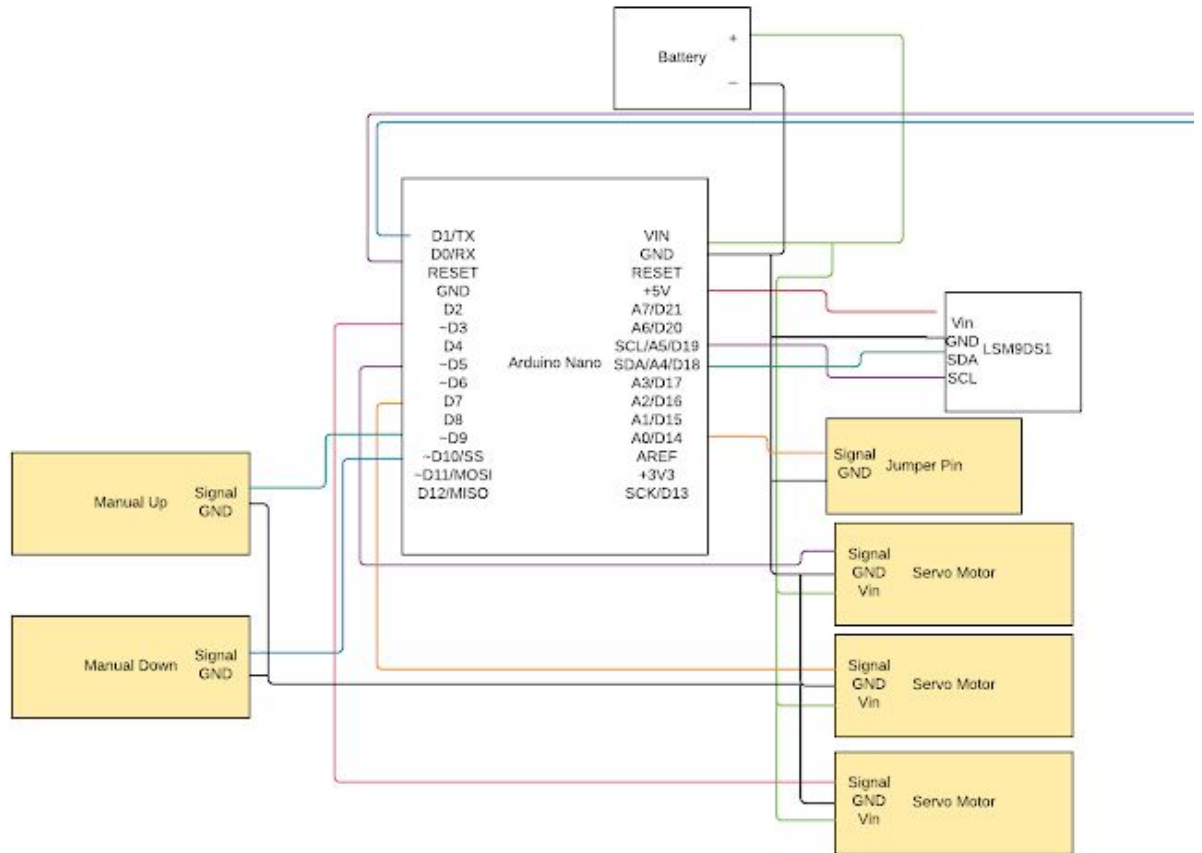


Figure 3. Closer Look: Imaging Subsystem

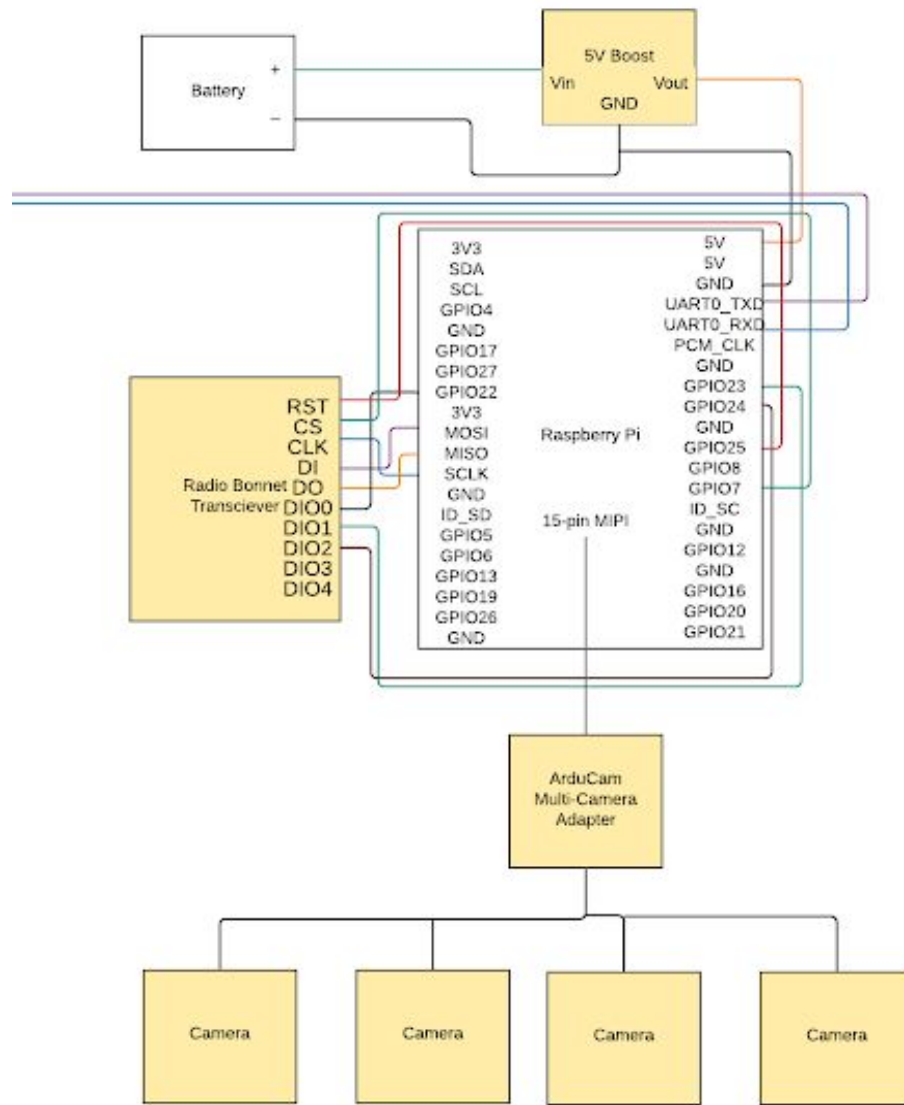


Figure 4. Closer Look: Transmission Subsystem

